

DA-400 Series

Passenger Counting Sensors

INTRODUCTION

The DA-400 directional sensor series detects the passage of people and determines their direction. The DA-400 incorporates an innovative electro-optical approach. This technology is fully operational with an accuracy between 97.5 to 99.5% that has been proven many times.

Multiple sensors are integrated in a single aluminum bar, according to the width of the door. The invisible light beams used to illuminate people are emitted using special LEDs. Fifteen years of fundamental research have helped us develop a solid and unique approach to people counting.

The DA-400 sensors are only 13.5 mm thick, which allows for easy surface or inside-panel mounting above doors, even under tight clearance restrictions. A 17mm thick model is also available to fit higher ceiling vehicles.

The DA-400 sensors are factory-calibrated and specially designed for a quick installation using only a few screws. This clever “bolt-on design” eliminates the complications and the costs associated with alterations to the vehicles and multiple sensor adjustments during installation and commissioning.

APPLICATION

The DA-400 is highly accurate in detecting the passengers entering and exiting each door. The data produced is associated with specific doors, and the time and location of every stop or station. This data is then sent to the GW-400 through its communication link for processing. Each sensor in an assembly has its own address and communicates independently with the GW-400.

This detailed combined data makes it possible to generate customized and very specific reports that provide a strong base for profitable and optimized decisions.



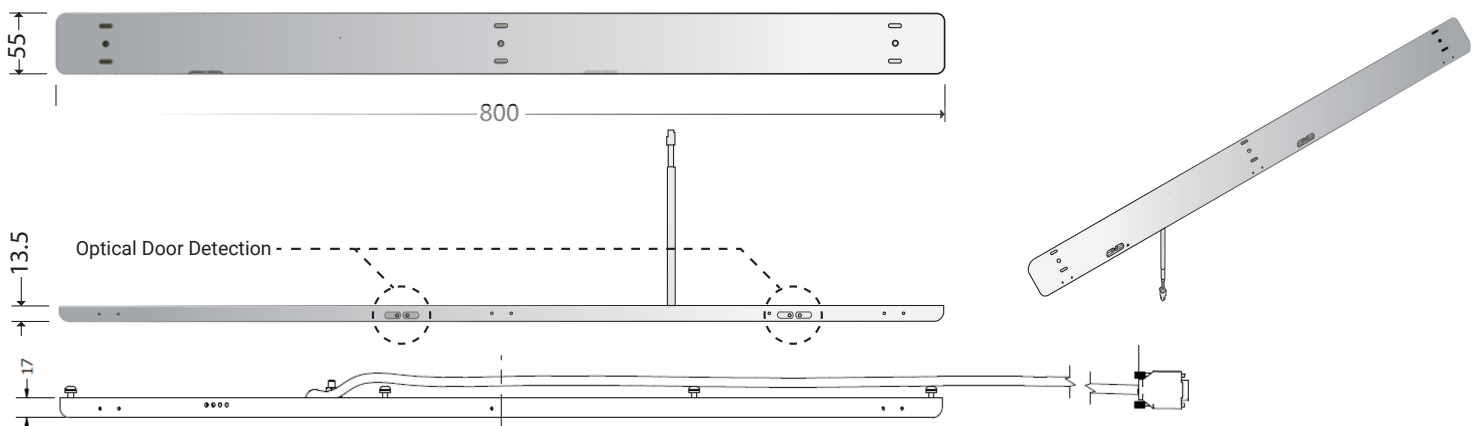
DA-400 Series

Passenger Counting Sensors

FEATURES

- 13.5 mm to 17mm thickness
- Multi-element sensors integrated in one single bar to cover any door width
- Factory calibrated sensors, no sensor adjustment or alignment in the vehicle required
- Cost-effective on all aspects:
 - Reduces wiring expenses
 - Simplifies installation
 - Self-calibrates
 - Reprogrammable
- Aluminum case:
 - Withstands environmental stresses common to transit vehicles
- Unaffected by speed of passage
- Unaffected by immobile passengers
- Anti-graffiti coating available
- Train grade electronics
- Sizes:
 - 250 mm (1 sensor)
 - 420 mm (2 sensors)
 - 673 mm (3 sensors)
 - 800 mm (3 sensors)
 - 1151 mm (4 sensors)

Dimensions (800 mm models shown)



For more information regarding our technology and our most recent achievements, please **contact us**.

Infodev EDI Inc.
Website : www.infodev.ca
Email : info@infodev.ca

1995 Frank-Carrel, Suite 202
Quebec, QC, Canada
G1N 4H9
Tel : 1(418) 681-3539
Toll free: 1 (888) 869-2652

DISCLAIMER : ALL PRODUCT, PRODUCT SPECIFICATIONS AND DATA ARE SUBJECT TO CHANGE WITHOUT NOTICE TO IMPROVE RELIABILITY, FUNCTION OR DESIGN OR OTHERWISE. NO REPRODUCTIONS PERMITTED.