



DA-200 Series

Passenger Counting Sensors

DESCRIPTION

The DA-200 directional sensor series is designed to count passengers in buses and other public transit vehicles. It can also be used to accurately count people in buildings, stations and platform screen doors. It detects the passage of people and determines their direction. It incorporates an innovative new electro-optical approach.

This technology is fully operational and has been tested for high accuracy without calibration or correction factors.

The DA-200 is generally used in conjunction with our GW Onboard Counting Computer Series.

APPLICATION

The sensor is generally placed on top of the vehicle doors. For wide entrances, a multiple sensor configuration is available. It detects passage and direction of people, then sends its data to the onboard counting computer.

FEATURES

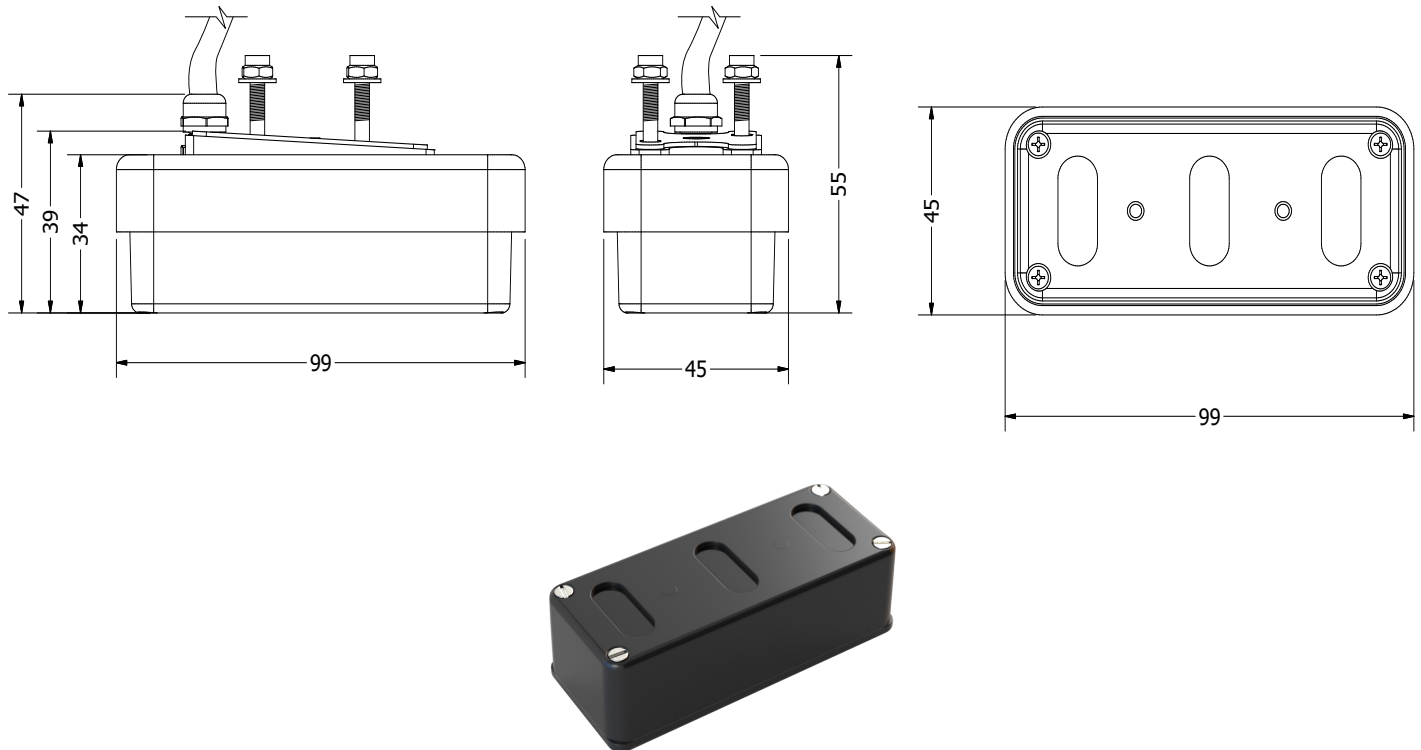
- Compact, unobtrusive design.
- Diecast aluminum case.
- Unaffected by speed of passage or immobile passengers.
- Very effectively separates people following each other closely.
- Withstands environmental stresses common to buses.
- Remains accurate through variations of light and temperature.
- No periodical calibration required.
- No correction factors required.
- Easily installed and readily linked via conventional 4-cable conductors.
- Powered by our onboard computer from the GW series.

DA-200 Series

Passenger Counting Sensors

DIMENSIONS

Model AC Shown (dimensions are in mm).



For more information regarding our technology and our most recent achievements, please **contact us**.

Infodev EDI inc.
Website: www.infodev.ca
Email: info@infodev.ca

1995 Frank-Carrel, Suite 202
Quebec, QC, Canada
G1N 4H9
Tel : 1 (418) 681-3539
Toll free: 1 (888) 869-2652

DISCLAIMER: ALL PRODUCT, PRODUCT SPECIFICATIONS AND DATA ARE SUBJECT TO CHANGE WITHOUT NOTICE TO IMPROVE RELIABILITY, FUNCTION OR DESIGN OR OTHERWISE. NO REPRODUCTIONS PERMITTED.