



DA-400 Series

Passenger Counting Sensors



INTRODUCTION

The DA-400 directional sensor series detects the passage of people and determines their direction. The DA-400 incorporates an innovative electro-optical approach. This technology is fully operational with an accuracy between 97.5 to 99.5% that has been proven many times.

Multiple sensors are integrated in a single aluminum bar, according to the width of the door. The invisible light beams used to illuminate people are emitted using special LEDs. Fifteen years of fundamental research have helped us develop a solid and unique approach to people counting.

The DA-400 sensors are only 14 mm thick, which allows for easy surface mounting above doors, even under tight clearance restrictions.

The DA-400 sensors are factory-calibrated and specially designed for a quick installation using only a few screws. This clever “bolt-on design” eliminates the complications and the costs associated with alterations to the vehicles and multiple sensor adjustments during installation and commissioning.

APPLICATION

The DA-400 is highly accurate in detecting the passengers entering and exiting each door. The data produced is associated with specific doors, and the time and location of every stop or station. This data is then sent to the GW-400 through its communication link for processing. Each sensor in an assembly has its own address and communicates independently with the GW-400.

This detailed combined data makes it possible to generate customized and very specific reports that provide a strong base for profitable and optimized decisions.



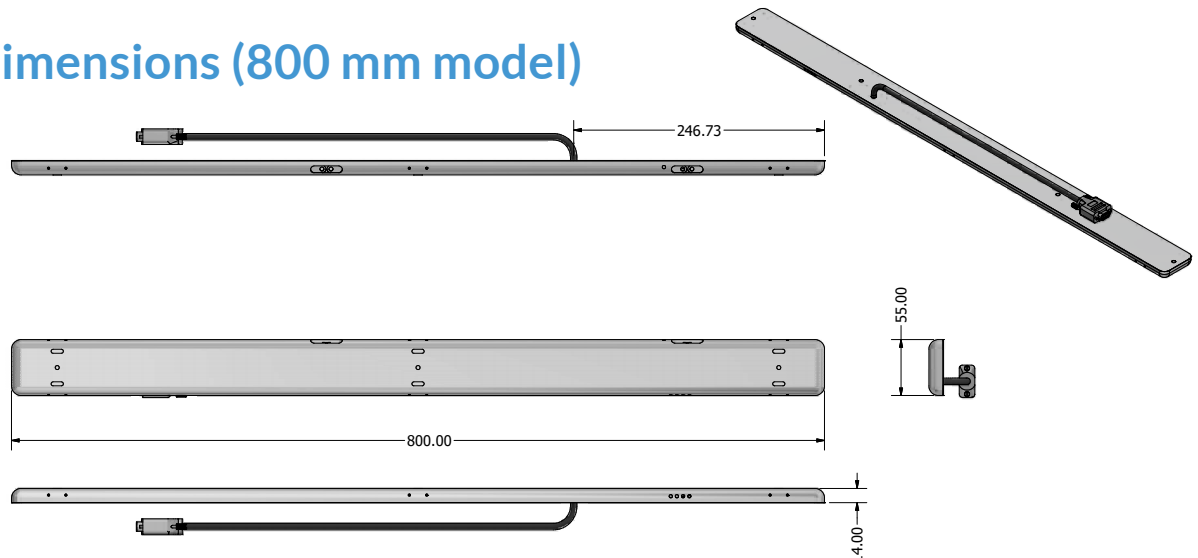
DA-400 Series

Passenger Counting Sensors

FEATURES

- 14 mm to 19 mm thickness
- Multi-element sensors integrated in one single bar to cover any door width
- Factory calibrated sensors, no sensor adjustment or alignment in the vehicle required
- Cost-effective on all aspects:
 - Reduces wiring expenses
 - Simplifies installation
 - Self-calibrates
 - Reprogrammable
- Aluminum case:
 - Withstands environmental stresses common to public transportation vehicles
- Compliant with industry standards
- Optical door detection
- Unaffected by speed of passage
- Unaffected by immobile passengers
- Anti-graffiti painting available
- Train grade electronics
- Sizes:
 - 250 mm (1 sensor)
 - 420 mm (2 sensors)
 - 673 mm (3 sensors)
 - 800 mm (3 sensors)
- Max coverage:
 - 6,7 m (2,7 ft)
 - 1 m (3,3 ft)
 - 1,2 m (3,9 ft)
 - 1,3 m (4,3 ft)

Technical Dimensions (800 mm model)



For more information regarding our technology and our most recent achievements, please **contact us**.

Infodev EDI Inc.
Website : www.infodev.com
Email : info@infodev.ca

1995 Frank-Carrel, Suite 202
Quebec, QC, Canada
G1N 4H9
Tel : (418) 681-3539
Fax: (418) 681-1209